

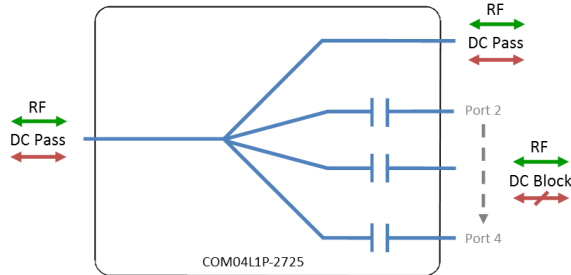


Model Number:
COM04L1P-2725

RF Components

4- Way L-Band Passive GPS Splitter/Combiner

1000-2000 MHz



- Common to port 1 DC pass
- All other ports DC block with 200Ω internal load

Available with RF connector options:

- 50 Ω N-type
- 50 Ω SMA



Compact
Housed in rugged compact enclosure



1000-2000 MHz
Operating frequency range. L-Band ready

Passive

RF Parameters		
COM04L1P-2725-XXXX	S5S5	N5N5
Frequency Range	1000-2000 MHz	
RF Connectors	50Ω SMA	50Ω N-Type
Mean Insertion Loss (dB)	0.3±0.3	0.3±0.3
Flatness ± (dB)	0.3	0.3
Input Return Loss (dB)	Typ.	20
	Min	17
Output Return Loss (dB)	Typ.	23
	Min	20
Isolation (dB)	Typ.	22
Amplitude Balance (dB)	≤0.3	≤0.3
Phase Balance (Φ)	≤3°	≤3°
The given Insertion Loss specified is the loss above the theoretical limit for a lossless divider		

Broadcast



Marine Oil & Gas



SNG & VSAT



Satellite Teleport



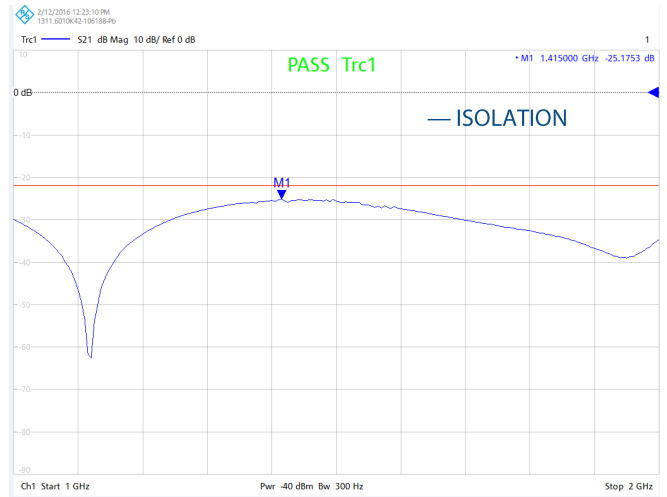


RF Components

Model Number:
COM04L1P-2725

4-Way L-Band Passive GPS Splitter/Combiner

Technical specifications and operating parameters



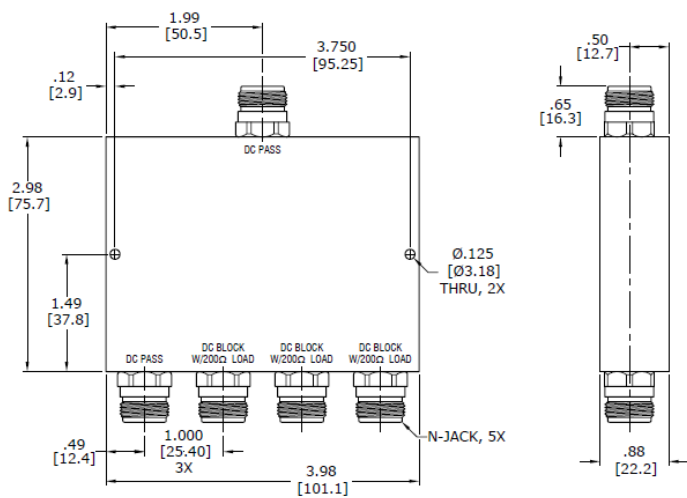
Environmental	
Operating Temperature	-65° C to +85° C
Storage Temperature	-65° C to +105° C
Location	Indoor use Only
Humidity	Max 85% non-condensing
Altitude	Max 10,000 feet

Max Operating Parameters	
Input RF Power into matched load with 20dB return loss	+43 dBm (20W) as splitter +30 dBm (1W) as combiner
DC Voltage	Max. 10V
DC Current	Max. 50mA
DC Consumption	N/A

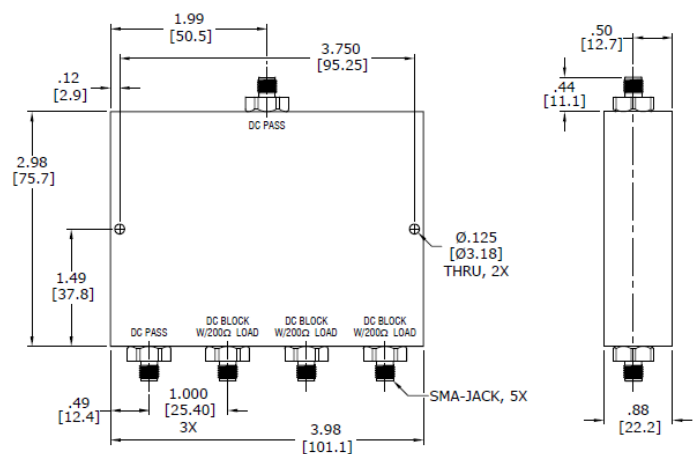
! Operation beyond these limits may cause instantaneous and permanent damage.

Physical Dimensions (mm)

50 Ω N-Type Connectors



50 Ω SMA Connectors



Note: The specification is subject to regular reviews and will be updated from time to time as part of our continuing product development and improved specification accuracy.

ETL SYSTEMS LIMITED
Coldwell Radio Station
Madley
Hereford
England HR2 9NE

TELEPHONE
+44 (0)1981 259020

EMAIL
info@etlsystems.com

FACSIMILE
+44 (0)1981 259021

WEB
www.etlsystems.com

